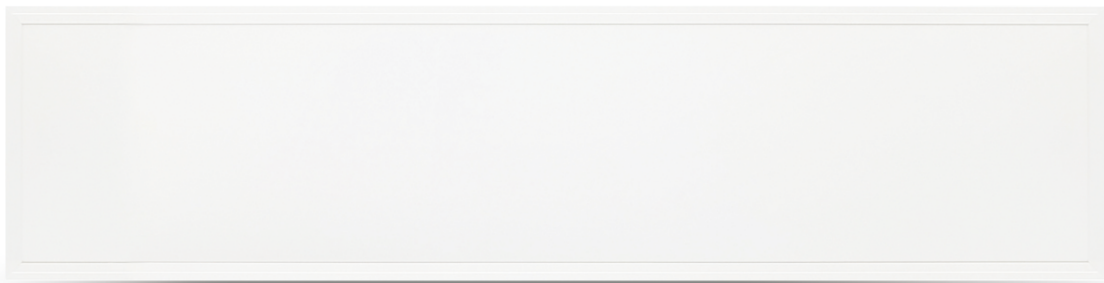
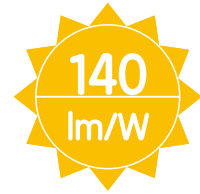


LED Panel Light with sensor



Motion+daylight sensor
Detection area: 3-5 metres
Hold on time: OFF/30s/10min/30min
With remote control

Shenzhen ERS Technology

Factory Add: C209, Baohuasen International Center, Qianjin Second Road, Xixiang Town, Bao'an District, Shenzhen, China
Warehouse Add: 49 Metrolink Circuit, Campbellfield VIC 3061

Tel: 0401 826 618

Email: info@erstech.com.au



IPART
Independent Pricing and Regulatory Tribunal
New South Wales



Victorian
Energy
Upgrades



LM-80 TM 21 LM79
ISTMT LCP



SPECIFICATIONS

Item No.	ERS-P16W30120-A1	ERS-P18W30120-A1	ERS-P24W30120-A1
Product Size (mm)	295X1195X30	295X1195X30	295X1195X30
Power	16W	18W	24W
LCP	15.83W	17.83W	22.74W
Input Voltage	AC220-240V,50Hz		
Efficiency	140lm/w		
Lumen	2240lm	2520lm	3360lm
Light Type	Back-lit panel		
Sensor	Daylight & Microwave Motion Sensor		
Driver Brand	ERS Driver (3 Years Warranty)		
LED Type	SMD 2835		
CCT	3000K,4000K,5000K,6500K		
CRI	Ra > 80		
Power Factor	> 0.9		
Beam Angle	120°		
IP Rating	IP 20		
Material	Aluminum frame+PS diffuser		
Warranty	3 years		
VEET	Approved		
IPART	Approved		

Shenzhen ERS Technology

Factory Add: C209, Baohuasen International Center, Qianjin Second Road, Xixiang Town, Bao'an District, Shenzhen, China
Warehouse Add: 49 Metrolink Circuit, Campbellfield VIC 3061

Tel: 0401 826 618

Email: info@erstech.com.au



IPART
Independent Pricing and Regulatory Tribunal
New South Wales



Victorian
Energy
Upgrades



LM-80 TM 21 LM 79
ISTMT LCP

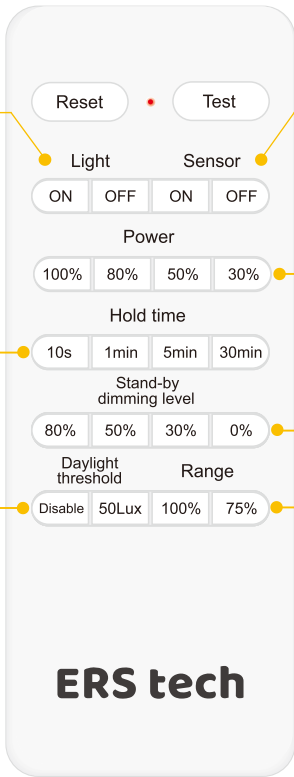


DETAILS



Light: ON/OFF function of the lamp

Sensor: ON/OFF function of the Sensor



Hold time of current brightness

Brightness

Daylight threshold

Stand-by dimming level

Detection Range

Shenzhen ERS Technology

Factory Add: C209, Baohuasen International Center, Qianjin Second Road, Xixiang Town, Bao'an District, Shenzhen, China
Warehouse Add: 49 Metrolink Circuit, Campbellfield VIC 3061

Tel: 0401 826 618

Email: info@erstech.com.au



Victorian Energy Upgrades



LM-80 TM 21 LM 79
ISTMT LCP



APPLICATION



KITCHEN



METRO



OFFICE

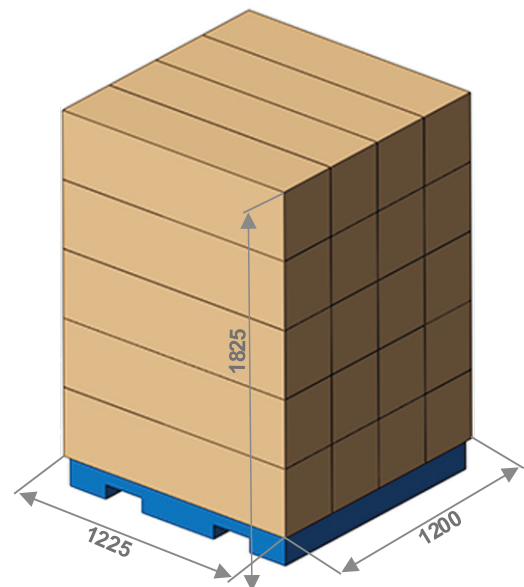
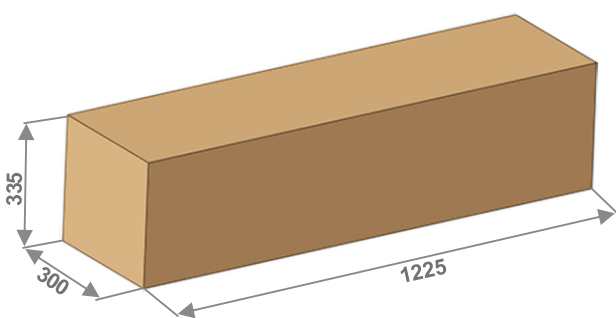


LIBRARY

PACKING

Item No.	ERS-P16/18/24W30120-A1
Carton Size (mm)	1225X300X335
Qty/CTN	8
N.W (KG)	13
G.W (KG)	15

Package size (mm)



Shenzhen ERS Technology

Factory Add: C209, Baohuasen International Center, Qianjin Second Road, Xixiang Town, Bao'an District, Shenzhen, China
Warehouse Add: 49 Metrolink Circuit, Campbellfield VIC 3061

Tel: 0401 826 618

Email: info@erstech.com.au



IPART
Independent Pricing and Regulatory Tribunal
New South Wales



Victorian
Energy
Upgrades



LM-80 TM 21 LM 79
ISTMT LCP

ESSENTIAL SERVICES COMMISSION